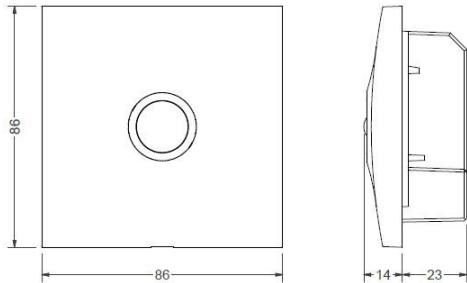




MRT-PRM Series Product Guide

Multi Range Time Delay Switches

Overview



MRT-PRM

Push button activation with optional external trigger

The MRT-PRM series of time delay switches are designed to provide timed control of lighting, heating or ventilation loads. Using push button, or remote activation, the user can switch on a load for a preset time period and have the load turn off automatically after the time period has elapsed.

Multiple timing ranges come as standard to allow the time out period to be set accurately. Time setting is achieved using switches and a thumb-wheel behind the face plate..

Several modes of operation are selectable using switches:

- On/off: triggering the timer will turn on the load and start the timing. Triggering the timer again during timing will immediately turn off the load and stop the timing.



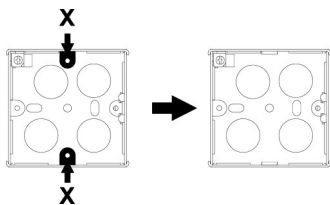
MRT-REM-PRM

Remote activation—external trigger only

- Resetting: triggering the timer will turn on the load and start the timing. Triggering the timer again during timing will re-start the timing period from scratch. When using an external trigger in this mode, the timer will not start until the trigger is removed making it ideal for pump or fan overrun applications.
- Non-resetting: triggering the time will turn on the load and start the timing. Triggering the timer again during timing will have no affect.

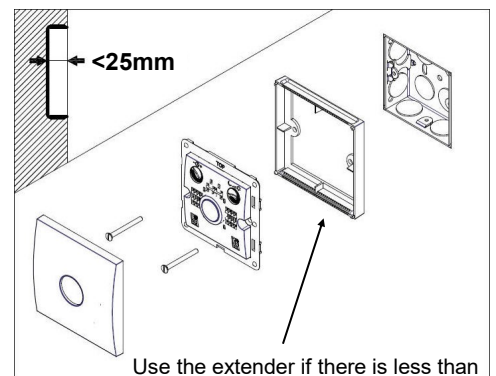
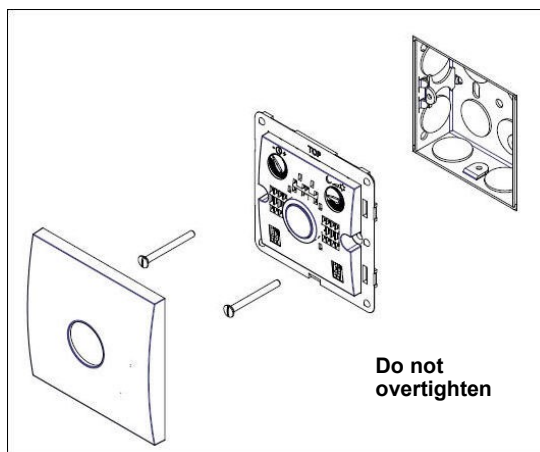
An LED indicator illuminates during the timing period.

Installation & Wiring



Compatible with all BS4662 dimensions back boxes.

Remove top and bottom lugs if fitted.



Wire the MRT timers as in diagram 1. Connection of the *slave trigger* is optional on all units except the MRT-REM-PRM.

Applying a live to the trigger will start the timer running. A momentary switch can be used, for example, in corridor lighting applications. A permanent input can be used, for example, in pump overrun applications.

To switch from more than one position simply wire two or more units in parallel to achieve two way and intermediate switching, or use the *slave trigger*.

For lighting applications that call for the replacement of a three wire switching system follow diagram 2, and set to non-resetting mode.

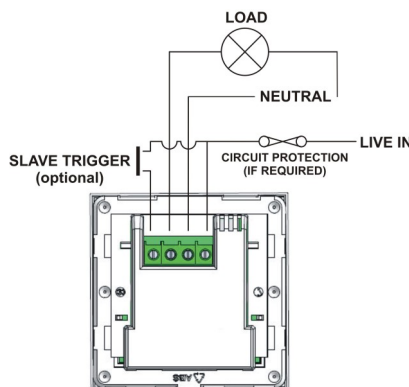


Diagram 1 Standard Wiring

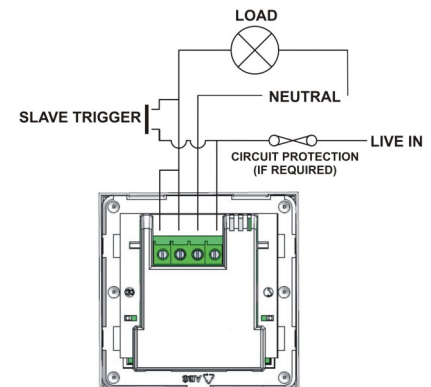
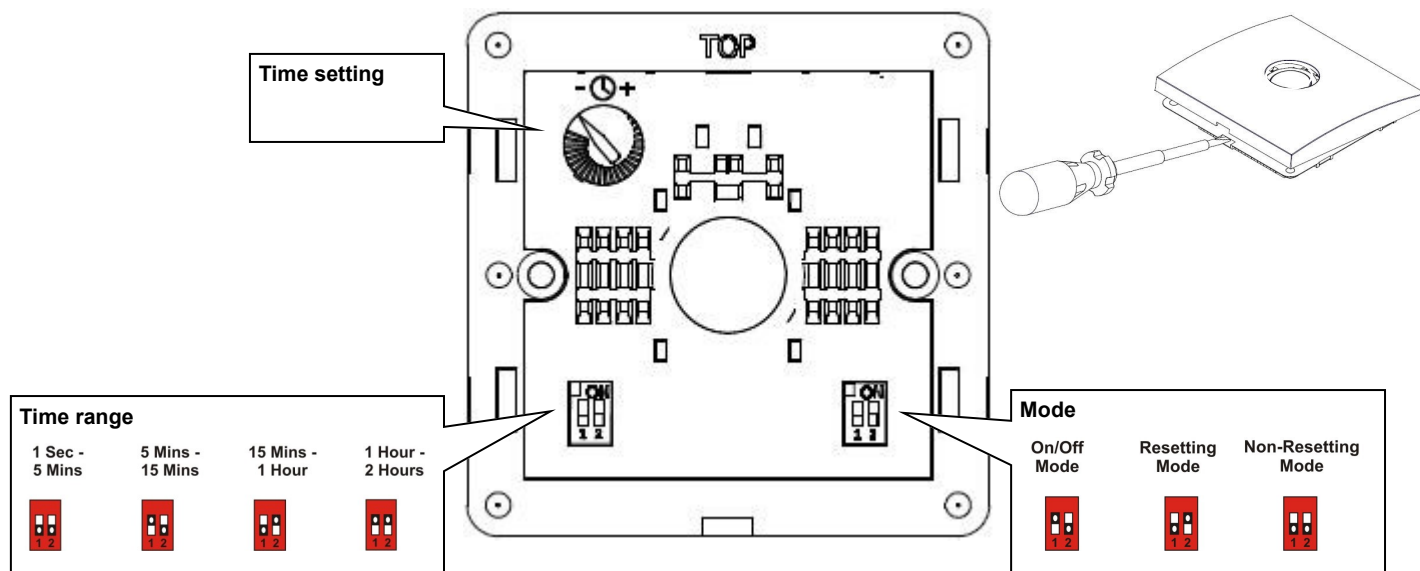


Diagram 2 Wiring for three wire switching circuits

Settings



Fault Finding

LOAD DOES NOT COME ON

Check to see if the live supply to the circuit is good. Strap across the *L* and *LIVE OUT* terminal to check.

LOAD DOES NOT GO OFF

Check that the time setting is correct.

When using external triggers, ensure that live is removed from the trigger terminal to enable the timer to start (for resetting mode only).

Specification

LOAD

16 Amp resistive load
 10 Amp incandescent lighting
 6 Amp fluorescent lighting
 3 Amp compact fluorescent lighting
 3 Amp low energy lighting
 3 Amp low voltage lighting (switch primary of transformer)
 3 Amp fans and ventilation equipment
 Switch SON lighting loads via a contactor
 Quartz halogen heaters: 2600W max, recommended timing 30 minutes, for lower timing switch via contactor

SUPPLY VOLTAGE 220-240 Volts AC 50 Hz
TIMING PERIOD Adjustable 1 second to 2 hours in ranges
TERMINAL CAPACITY 2.5mm²
MATERIAL Flame retardant ABS
TYPE Class 2
TEMPERATURE -10°C to 35°C
CONFORMITY EMC-2014/30/EU
 LVD-2014/35/EU

For further compliance information visit www.cpelectronics.co.uk/compliance



Part Numbers

MRT-PRM Push button activated multi-range timer
 MRT-REM-PRM Remote activated multi-range timer

IMPORTANT NOTICE!

This device should be installed by a qualified electrician in accordance with the latest edition of the IEE Wiring Regulations and any applicable Building Regulations.



C.P. Electronics Ltd
 Brent Crescent
 London
 NW10 7XR
 United Kingdom
 Tel: + 44 (0) 333 900 0671
 Fax: + 44 (0) 333 900 0674
www.green-iswitches.co.uk
enquiry@green-iswitches.co.uk